

## HIGH SENSITIVITY HALL PROBE

- Ten times the sensitivity of LPT-130
- High accuracy:  $\pm 0.03\%$  max. error at 25 °C\*.
- Low thermal drift: -600ppm/°C max\*.
- Low zero drift:  $\pm 0.12$  gauss/°C max\*.
- Calibration tables at 0, 25 and 50 °C supplied with each probe.

\* contribution of probe only.

### Specifications of system – LPT-230 with DTM-133 and DTM-150 teslameters:

Orientation Transverse, reads positive when field vector enters top metal surface  
 Field ranges 0.03 0.06 0.12 0.3 tesla full-scale  
 0.3 0.6 1.2 3.0 kilogauss full scale  
 with polarity indication

Accuracy at 25 °C  $\pm(0.03\%$  of reading + 0.03% of full scale) max. with DTM-133  
 $\pm(0.03\%$  of reading + 0.006% of full scale) max. with DTM-150

Resolution	range	DTM-133 resolution		DTM-150 resolution	
		gauss	tesla	gauss	tesla
	0.03 tesla	0.05	0.000005	0.001	0.0000001
	0.06 tesla	0.1	0.00001	0.002	0.0000002
	0.12 tesla	0.2	0.00002	0.004	0.0000004
	0.3 tesla	0.5	0.00005	0.01	0.000001

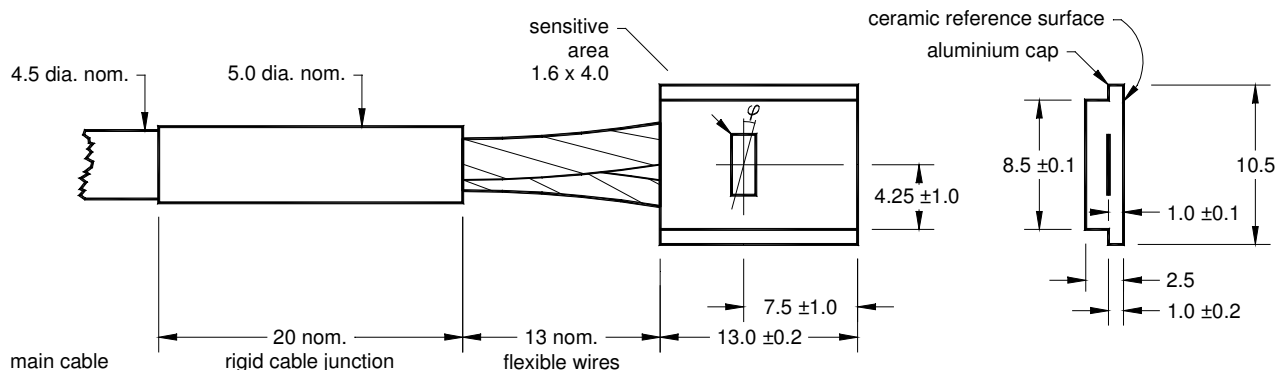
Temperature range 0 to 50 °C operating to spec, -20 to +60 °C max.

Temperature stability calibration: -620ppm of reading/°C max.  
 -3ppm/°C of reading per meter of probe cable  
 zero drift:  $\pm(12\mu\text{T} + 0.0015\%$  of full-scale)/°C max. with DTM-133  
 $\pm(12\mu\text{T} + 0.0003\%$  of full-scale)/°C max. with DTM-150

Probe dimensions overall size: 13 x 10.5 x 2.5mm  
 sensitive area: 4 x 1.6mm  
 unshielded part of cable: 4.5mm diam. 300mm nom. length  
 shielded cable: 6.5mm diam.

Order code LPT-230-2s for probe with basic 2 meter shielded cable length.  
 Special probe cable lengths may be ordered up to 30 meters max.

Single-range probes: add range suffix -03 -06 -12 -30, e.g. LPT-230-03-2s.



all dimensions in mm. target error  $\pm 0.3\text{mm}$  angular error in transverse plane  $\varphi = \pm 1^\circ$  max. seating error on ceramic  $\pm 0.4^\circ$  max.

Group3 reserves the right to change the specifications at any time without notice.