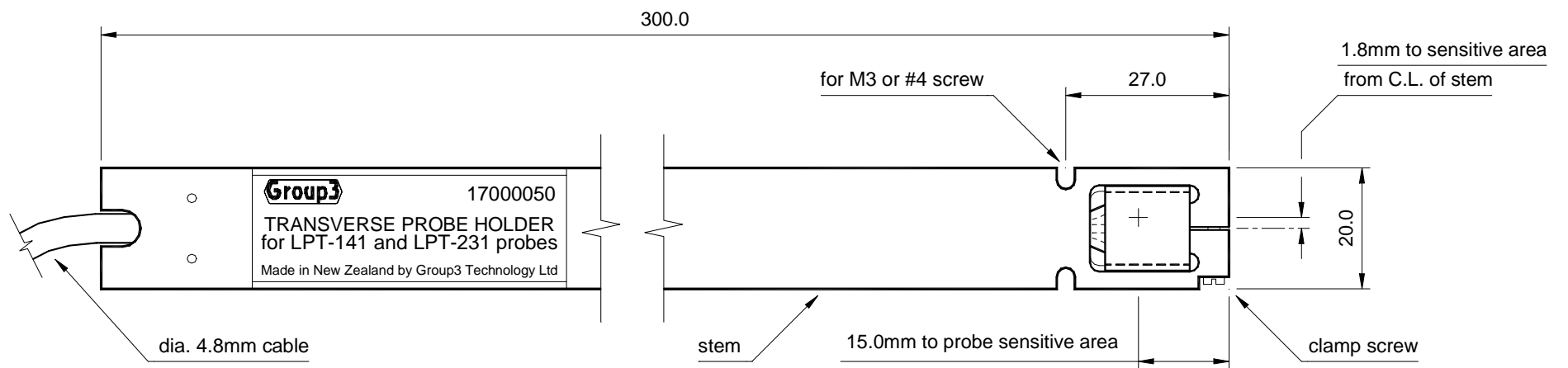
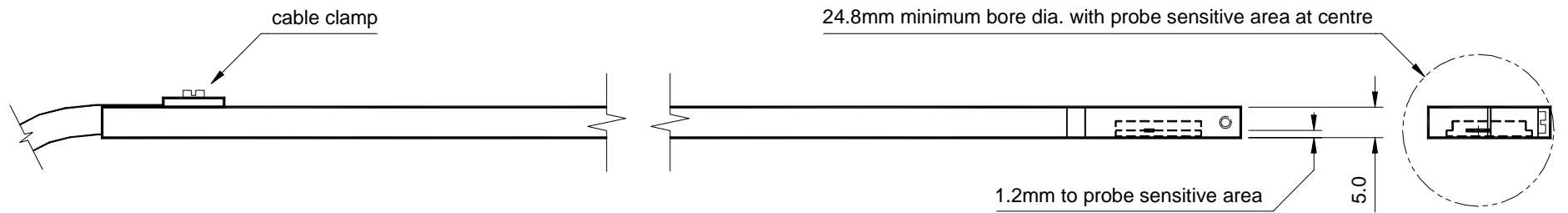


Materials:
 stem:
 black anodised aluminium
 cable clamp:
 plastic
 screws:
 brass



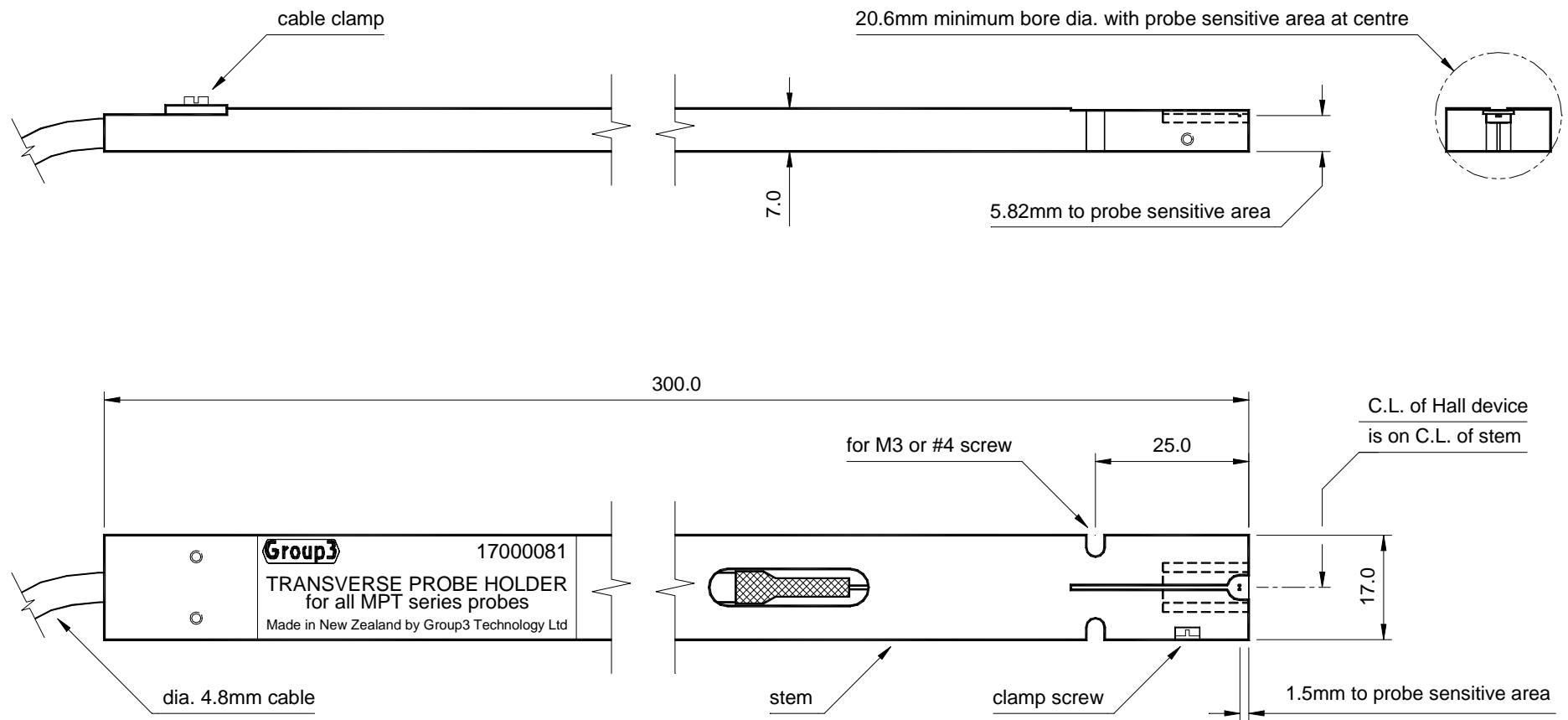
Issue	Change	Date	Title: LPT PROBE HOLDER #17000049 FUNCTIONAL DIMENSIONS		
			Drawn By: B. McG.	Date: 12-Apr-02	Drawing No: 17000049
			Dimensions: mm	Scale: NTS	
			Copyright © 1997, Group 3 Technology Ltd.		



Materials:
 stem:
 black anodised aluminium
 cable clamp:
 plastic
 screws:
 brass



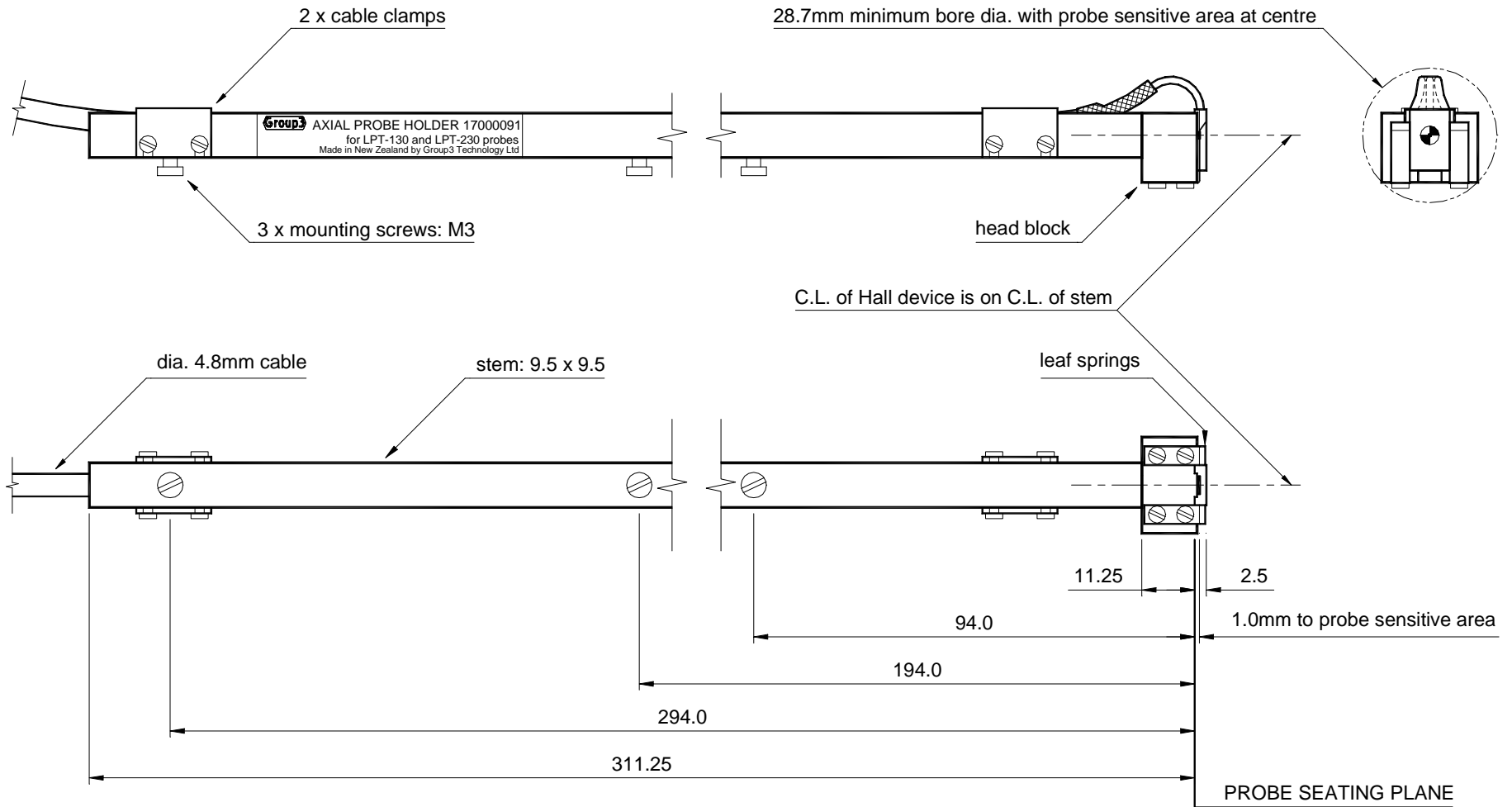
Issue	Change	Date	Title: LPT PROBE HOLDER #17000050 FUNCTIONAL DIMENSIONS		
			Drawn By: B. McG.	Date: 12-Apr-02	Drawing No: 17000050
			Dimensions: mm	Scale: NTS	
			Copyright © 1997, Group 3 Technology Ltd.		



Materials:
 stem:
 30% glass reinforced Noryl® SE-1-GFN3
 Colour: grey opaque
 cable clamp:
 plastic
 screws:
 nylon



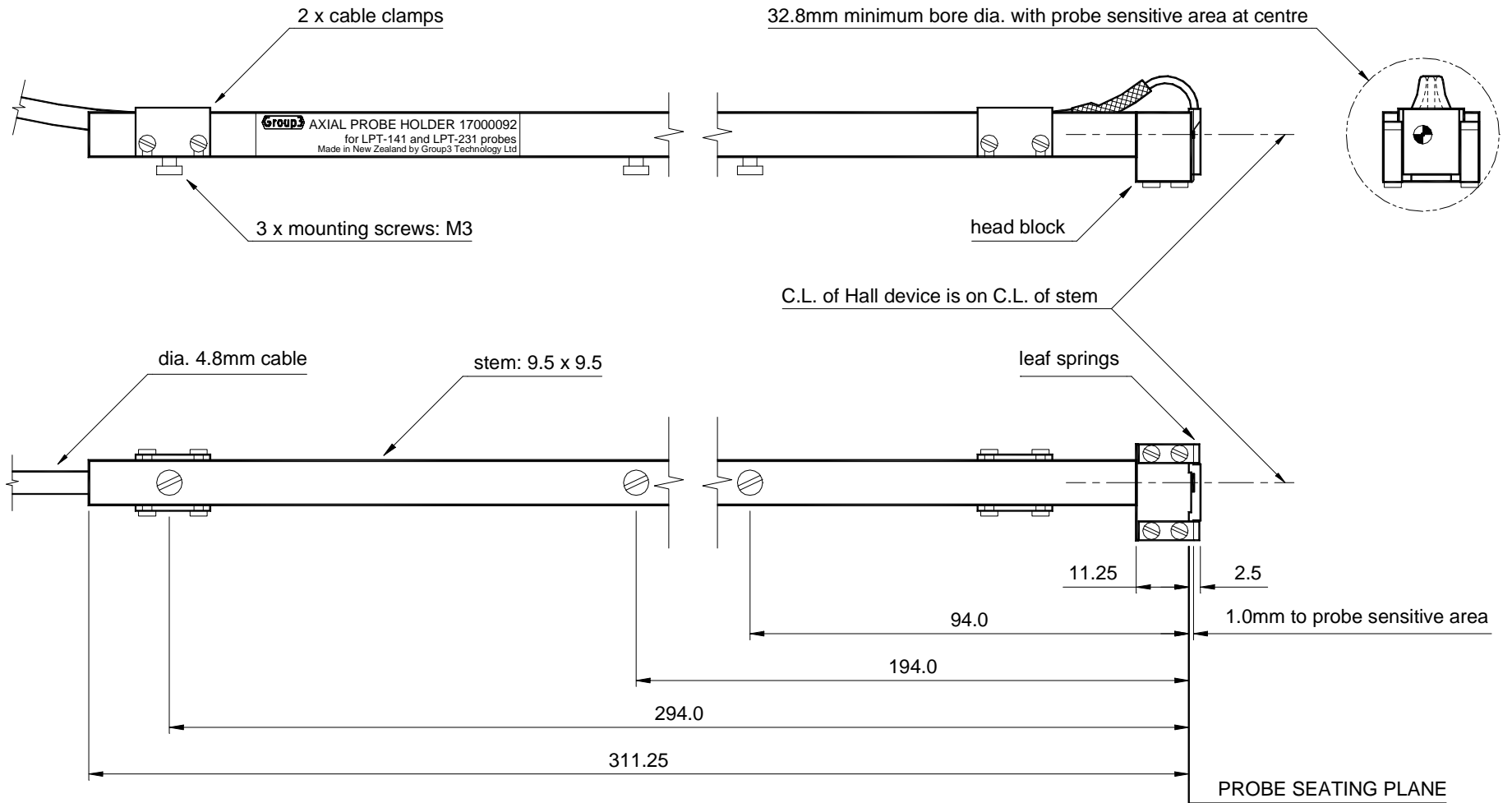
Issue	Change	Date	Title: MPT PROBE HOLDER #17000081 FUNCTIONAL DIMENSIONS		
2	Material specification added	17-July-97	Drawn By: B. McG.	Date: 28-Aug-96	Drawing No:
	Material specification added for clamp and screws	16-April-02	Dimensions: mm	Scale: NTS	17000081
3	Sensitive area now dimensioned from base of stem	16-April-02	Copywrite © 1997, Group 3 Technology Ltd.		
A3					



Materials:
 stem, head block, cable clamps:
 black anodised aluminium
 screws:
 brass
 leaf springs:
 beryllium copper



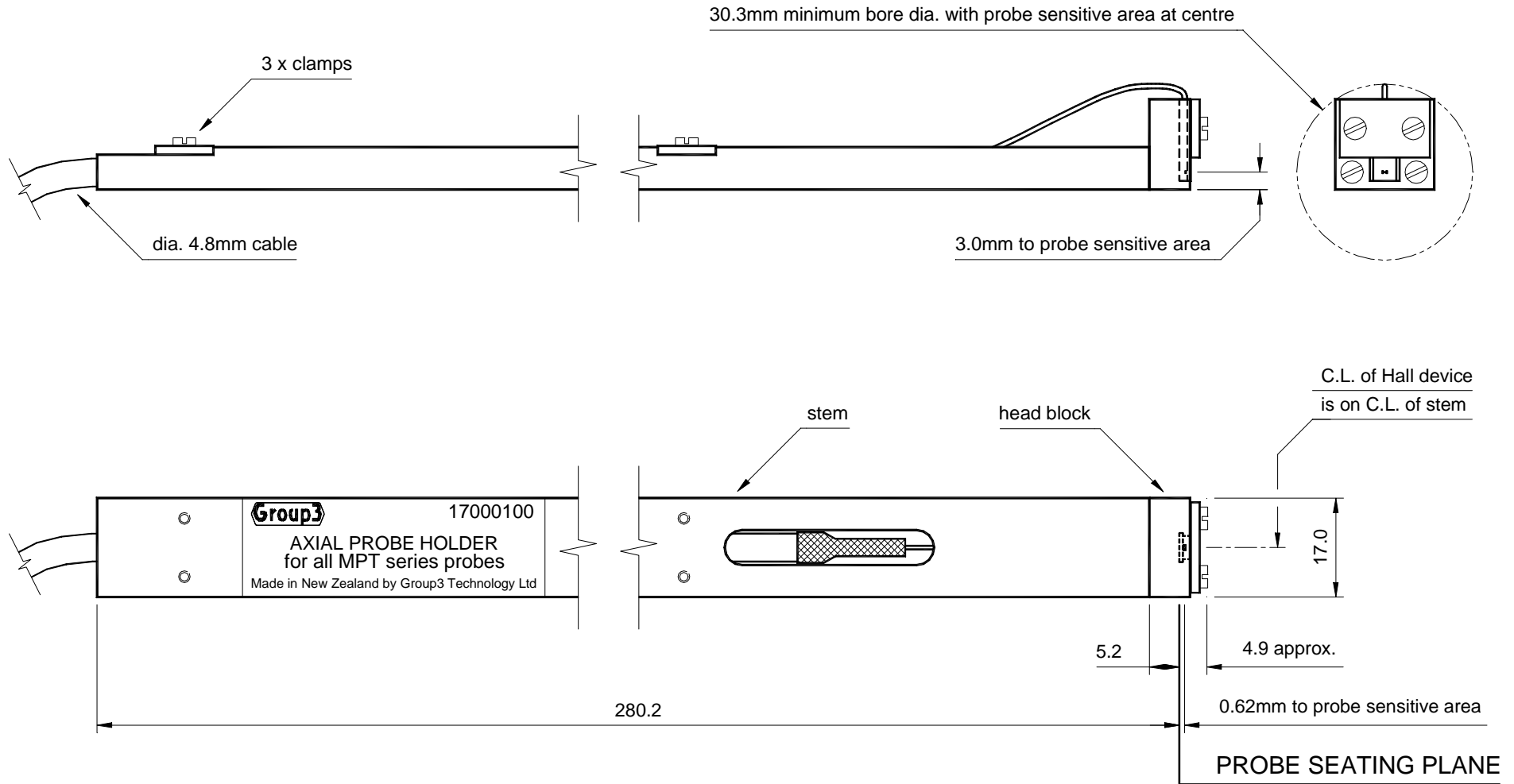
Issue	Change	Date	Title: LPT PROBE HOLDER #17000091 FUNCTIONAL DIMENSIONS		
			Drawn By: B.McG.	Date: 11-Apr-02	Drawing No:
			Dimensions: mm	Scale: NTS	17000091
Copywrite © 1997, Group 3 Technology Ltd.					



Materials:
 stem, head block, cable clamps:
 black anodised aluminium
 screws:
 brass
 leaf springs:
 beryllium copper



Issue	Change	Date	Title: LPT PROBE HOLDER #17000092 FUNCTIONAL DIMENSIONS		
			Drawn By: B.McG.	Date: 10-Apr-02	Drawing No: 17000092
			Dimensions: mm	Scale: NTS	
Copywrite © 1997, Group 3 Technology Ltd.					



Materials:

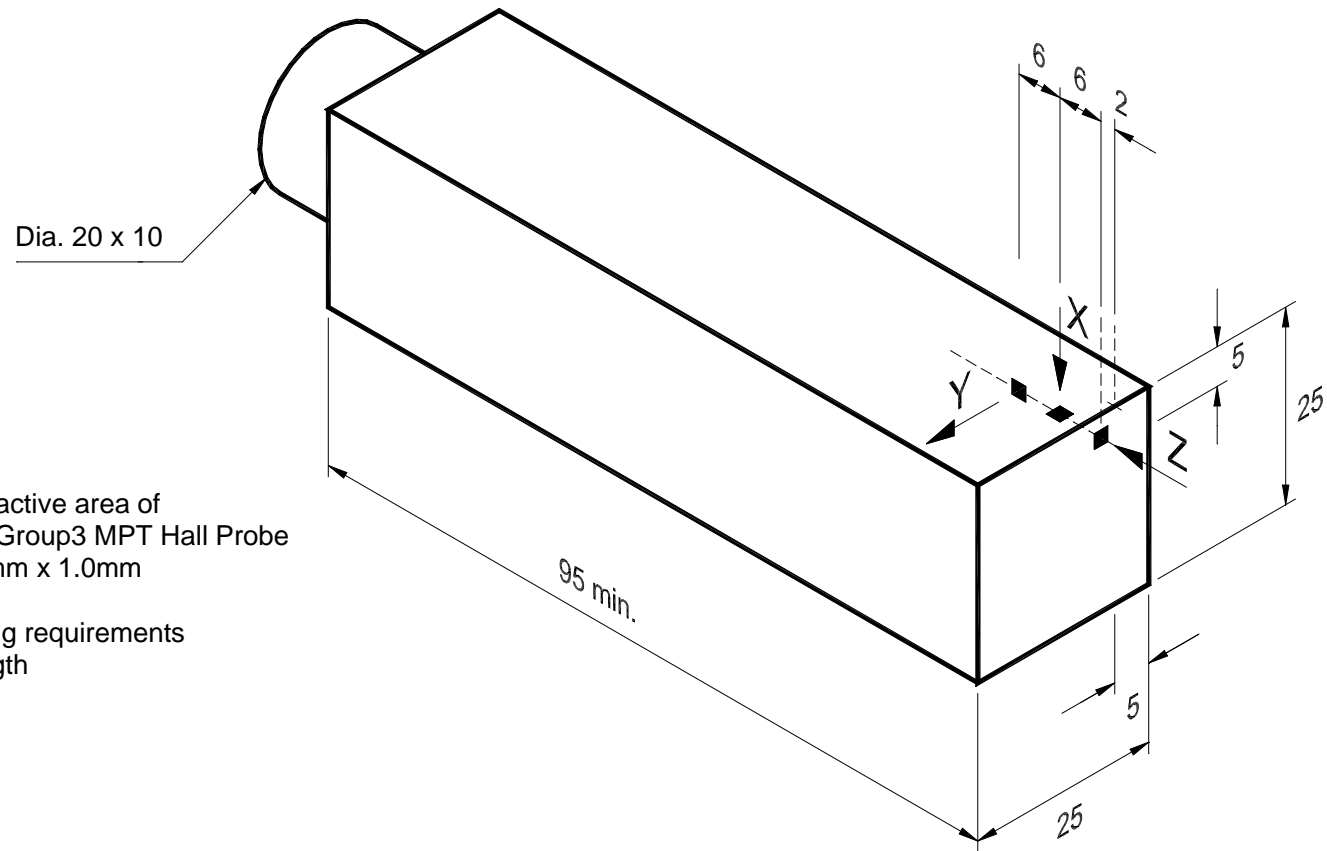
stem, head block:
30% glass reinforced Noryl® SE-1-GFN3
Colour: grey opaque

clamps:
plastic

screws:
nylon



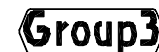
Issue	Change	Date	Title: MPT PROBE HOLDER #17000100 FUNCTIONAL DIMENSIONS		
			Drawn By: B. McG.	Date: 15-Apr-02	Drawing No: 17000100
			Dimensions: mm	Scale: NTS	
Copyright © 1997, Group 3 Technology Ltd.					



■ Represents: active area of Group3 MPT Hall Probe
 Each Element: 0.5mm x 1.0mm

For custom mounting requirements or probe holder length contact Group3

Materials:
 holder:
 part-no. 17000112: Aluminium
 part-no. 17000112n: 30% glass reinforced Noryl® SE-1-GFN3
 clamps:
 plastic
 screws:
 nylon



Issue	Change	Date	Title: 3-AXIS HALL PROBE HOLDER FUNCTIONAL DIMENSIONS		
			Drawn By: B.McG.	Date: 17-Apr-02	Drawing No:
			Dimensions: mm	Scale: NTS	17000112
Copywrite © 1997, Group 3 Technology Ltd.					A3